

Inter-Set Device Policy—Utah

Metering Policy No. 101

Author: June Sabbah
 Approval: Douglas Marx
 Authoring Department: Engineering Standards and Technical Services
 Approved Location: pacificorp.us\DFS\PDXCO\SHR04\ENG\Publications\FPP\RLY\POL
 File Number-Name: 101-Inter-Set Device Policy-Utah.docx
 Revision Number: 1
 Revision Date: 6/30/2016

| Document Security Category | | | |
|----------------------------|--------------|---|-------------------------------------|
| | Confidential | x | External |
| | Restricted | | BES Cyber System Information (BCSI) |
| x | Internal | | |

| Revision Log | | |
|--------------|-----------|--|
| 0 | 2/15/2016 | Initial publication. |
| 1 | 6/30/2016 | Clarification on the removal of inter-set devices for troubleshooting was added. |
| | | |
| | | |
| | | |

Inter-Set Device Policy—Utah

Metering Policy No. 101

1 Scope

Inter-set devices are installed between the customer's meter socket and the company's meter (see Figure 1). These devices are intended for whole-house surge suppression, emergency generation connection, or solar generation interconnection.

Rocky Mountain Power will not prohibit the installation of inter-set devices when such devices have been permitted and approved by the local, city, or county authority. Such devices are customer-owned and maintained, and the installation falls under the jurisdiction of the National Electrical Code and the authority having jurisdiction. Rocky Mountain Power will not inspect these devices to approve them for any intended use. Click [here](#) for exceptions.

2 Note to the Customer

The customer must obtain approval for installation of the inter-set device from the appropriate city or county official in accordance with local rules or ordinances prior to installation. The company has the right to remove the device from service if it adversely affects its delivery of power to any customer. Any device removed will be returned to the customer. Only one inter-set device between the meter socket and the meter is permitted.

In some instances, the installation of such a device may require an upgrade to the customer's service or meter socket if required by national, state, or local codes or Rocky Mountain Power's [Electric Service Requirements](#) manual. Inter-set devices are not allowed in meter sockets that are rated for less than 60 amps and meter sockets such as ringless types that prevent the removal of the meter without having to remove or dismantle the device.

The customer retains all responsibility for the inter-set device. In cases where it must be removed for troubleshooting of company connections within the meter base, the customer shall make arrangements for the removal before troubleshooting can continue, and re-installation of the device after necessary repairs are made. Company employees are not authorized to install inter-set devices, or to remove them except in emergencies.

3 Note to the Authority Having Jurisdiction

Inter-set devices are customer-owned and maintained and must be handled in the same manner as all customer devices for electrical code inspections and approval. Rocky Mountain Power is not an inspecting authority, will not engage in the installation or inspection of these devices, and will comply with the rules of the jurisdiction where the device is installed. Furthermore, Rocky Mountain Power has no authority to grant any exceptions to the electrical code in the event such an exception is necessary. See National Electrical Code sections 90.2(A)(3), 90.2(B)(5), and 90.4.

Before approving an inter-set device/installation, Rocky Mountain Power requests that the authority having jurisdiction review the installation to ensure:

- The inter-set device is listed for the application it is intended to be used for.
- Installation of the inter-set device will not violate the meter socket UL listing.
- The customer's meter socket is safe and effective for use with the inter-set device.
- Shall not be used in installations where the inter-set device de-rates the capacity of the meter socket.

Figure 1 below outlines the ownership and responsibilities of installations with inter-set devices.

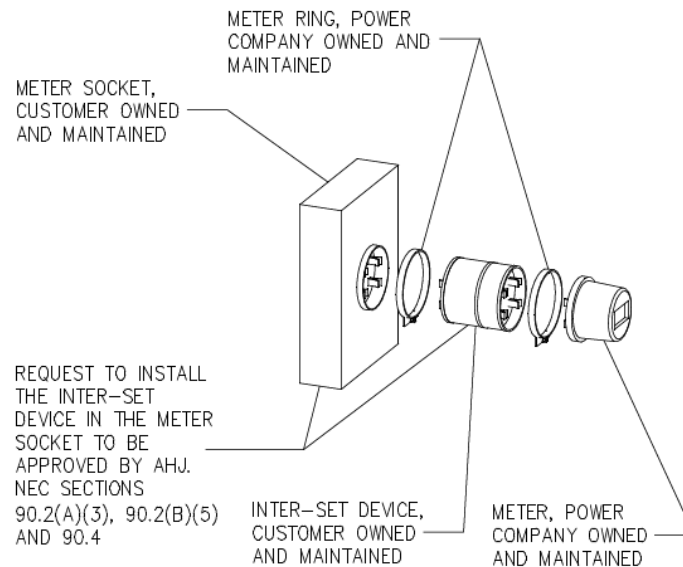


Figure 1—Ownership and Responsibilities