

Rocky Mountain Power  
Exhibit RMP\_\_\_(RAV-1SD)  
Docket No. 20000-520-EA-17  
Witness: Rick A. Vail

BEFORE THE WYOMING PUBLIC SERVICE  
COMMISSION

ROCKY MOUNTAIN POWER

---

Exhibit Accompanying Supplemental Direct Testimony of Rick A. Vail

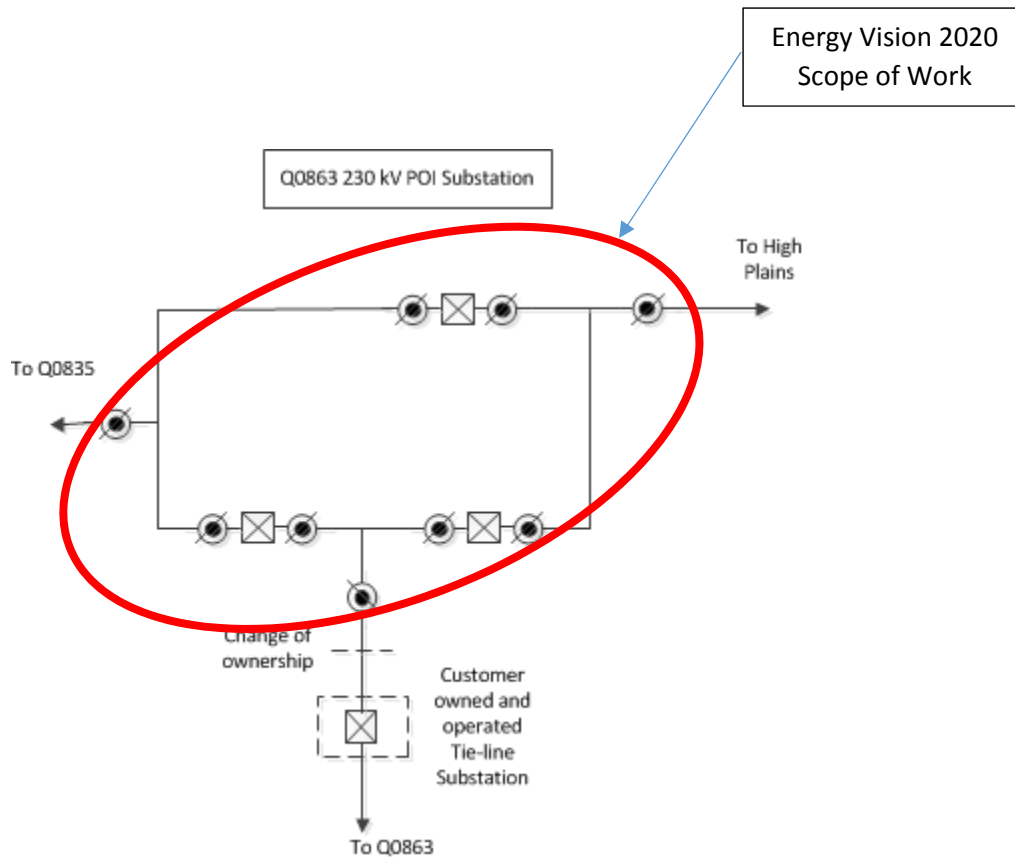
Updated Network Upgrades for RFP Results

January 2018

To support the inclusion of Q863 project the following scope of work is required in the FooteCreek area.

- Construct a new three breaker 230 kV POI ring bus substation on the High Plains – Foote Creek 230 kV line, ~2 miles southwest of High Plains substation.

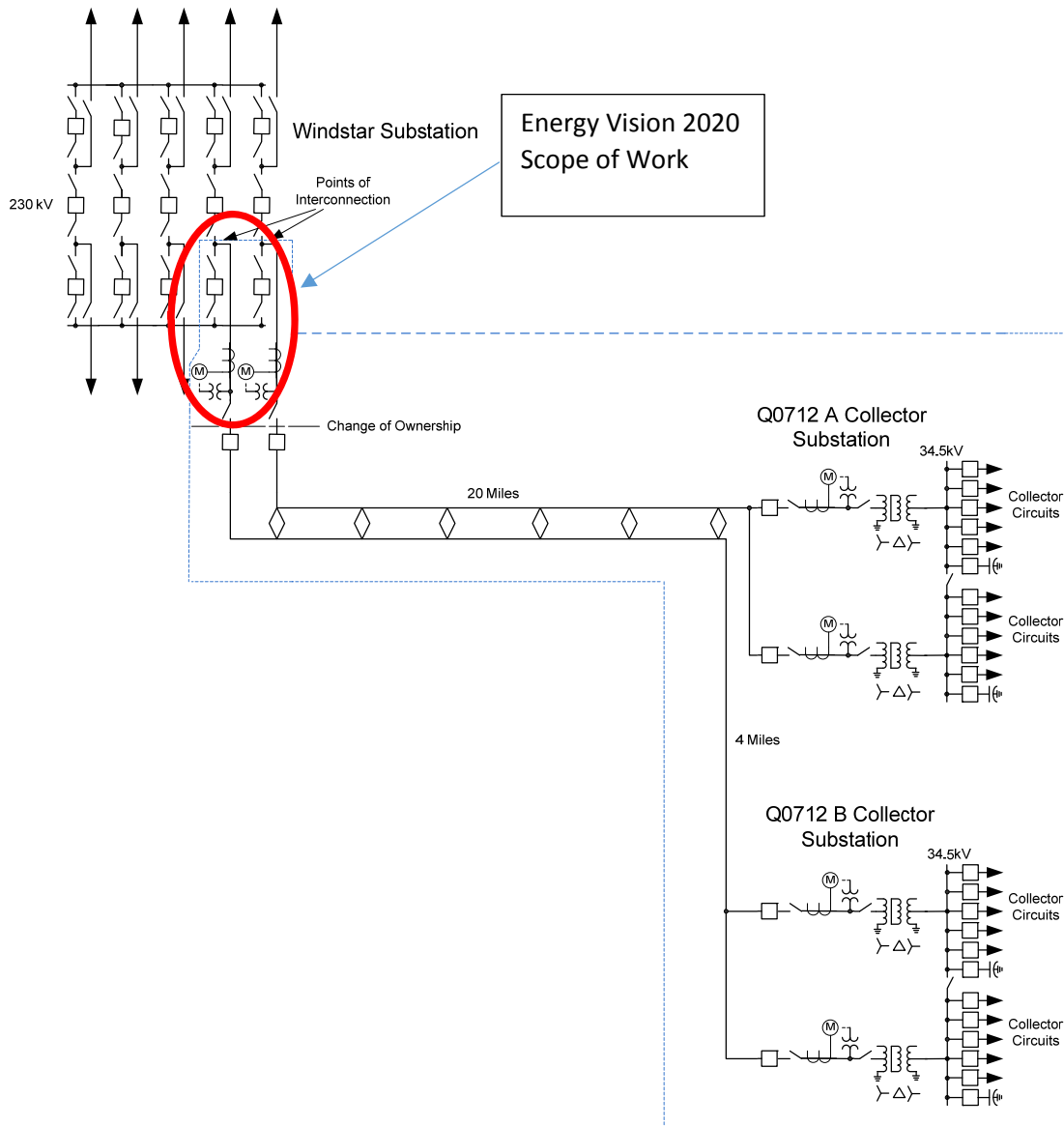
Proposed POI substation is shown below.



At the Windstar Substation, to support the inclusion of Cedar Springs 1 Wind project the following network upgrades are required.

- Two (2) 230 kV 3000 ampere breakers and line positions with associated switches at Windstar substation

These are identified within the red circle.



To support the addition of Invenergy Project Q715 in the Longhollow area the following system modifications are required.

- o Construct a new three breaker 138 kV POI ring bus substation southwest of the Whitney Canyon Tap (near structure 116), with associated switches and line terminations.
- o Upgrade approximately 13.7 miles of the Q0715 – Railroad 138 kV line with 1-1272 ACSR/phase (line has 1-795 ACSR/phase).
- o Modify the existing Naughton RAS to integrate the Q0715 project. (Redundant communication to the project is required.)

