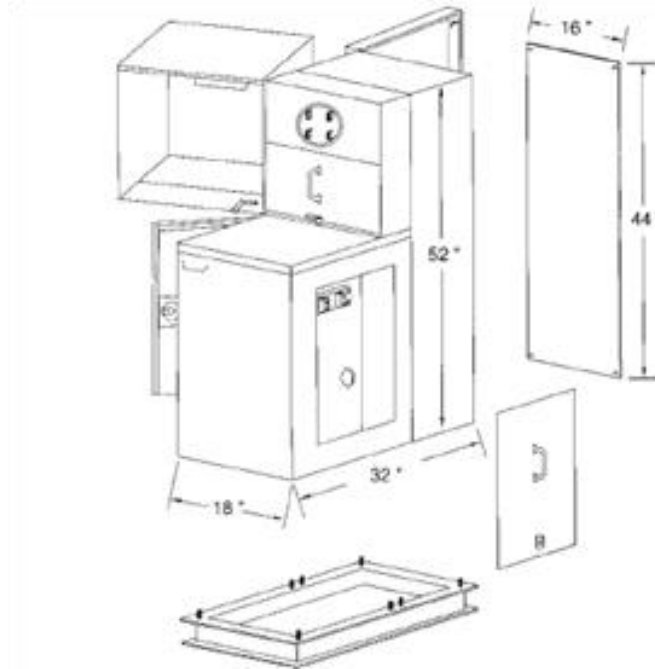


METER PEDESTALS

MPE SERIES



This is an approved manufacturer's equipment is indicative of one piece of equipment that is acceptable.

- Requires EUSERC approved metering equipment
- Requires screw-type meter ring—Aluminum snap rings not allowed
- Requires manual link bypasses--lever bypasses and automatic bypasses not allowed.
- Requires that all non-residential meter sockets shall have link bypass with a safety socket.
- Requires ANSI detachable type meter socket--no A-base or K-base sockets.
- Requires all sockets shall be ring types--ringless not allowed.
- Allows single and polyphase direct connect sockets up to a maximum of 225 amperes.
- Allows 400 ampere direct connect sockets with manual link bypasses for single phase only.