

CUTLER-HAMMER

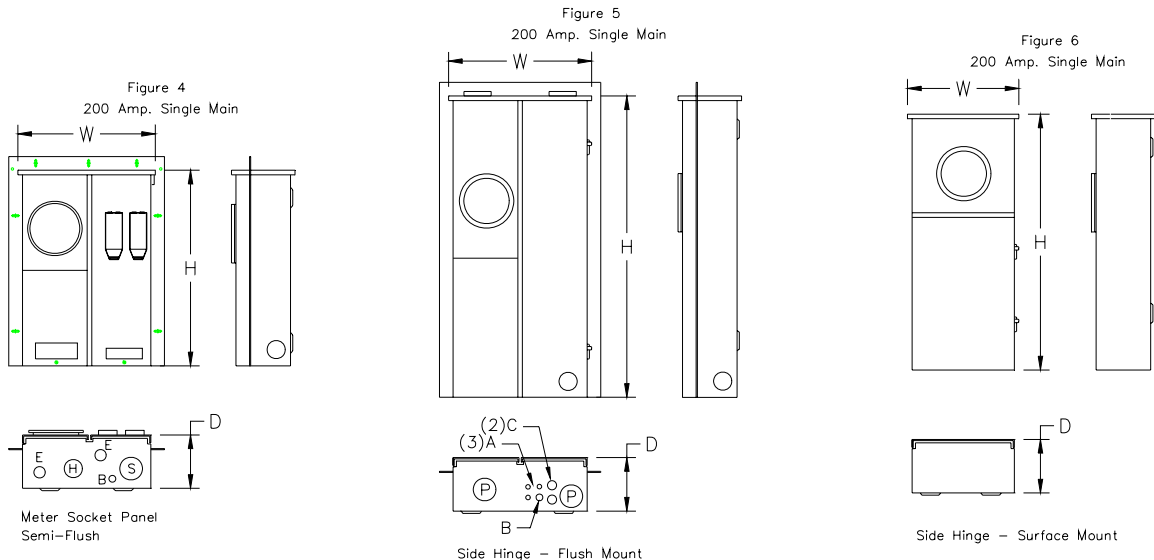
Type of Service & Socket		Approved Voltage	Optional Voltage w/Utility Approved
		120/240V 1 PH 3W 4 Terminal	120/208V 1 PH 3W 5 Terminal
100 Amp Socket Only, Overhead	Surface	NA	NA
	Flush	NA	NA
100 Amp Meter Socket & Circuit Breaker Combination, Overhead	Surface	CMBE88B150BTS CMBE24L125BTS CMBE2222B125BS CMBE2222B100BS CMBE3242B150BS	NA
	Flush	CMBE2222B100BF CMBE2222B125BF CMBE3242B150BF CMBE24L125BTF	NA
100 Amp Socket Only, Underground	Surface	NA	NA
	Flush	NA	NA

NA: Not Available

Note: MBE Branch Breaker type approved.

Note: This list of approved manufacturer’s meter equipment is indicative of many of the types of equipment that is acceptable but is not an exhaustive list of all possible acceptable versions manufactured by a particular company. The general guidelines to consider when selecting meter equipment not shown is that PacifiCorp:

- Requires EUSERC approved metering equipment
- Requires manual link bypasses on 400 ampere--lever bypasses and automatic bypasses not allowed.
- Requires that all non-residential meter sockets shall have manual link bypass or safety socket.
- Requires ANSI detachable type meter socket--no A-base or K-base sockets.
- Requires all sockets shall be ring types--ringless not allowed.
- Allows single and polyphase direct connect sockets up to a maximum of 225 amperes.
- Allows 400 ampere direct connect sockets with manual link bypasses for single phase only.
- Requires that safety sockets be on all commercial polyphase services and on single-phase 480-volt services.



Knockout Code – Conduit Sizes

A = 1/2	H = 1/4, 1 1/2, 2
B = 1/2, 3/4	S = 1 1/2, 2, 2 1/2
C = 1/2, 3/4, 1	T = 1 1/4, 1 1/2, 2, 2 1/2
D = 1/2, 3/4, 1, 1 1/4	Y = 1 1/2, 2
E = 3/4, 1, 1 1/4	Z = 1 1/2, 2, 2 1/2

Dimensions – Inches

CAT. NUM.	FIG.	DIMENSIONS		
		H	W	D
CGBT2125F	4	19 7/8	14 1/8	5 5/8
CGBT24M1F	5	28 5/8	14 1/4	7
CGBT24M125F	5	28 5/8	14 1/4	7
CGBT30M150F4	5	33 1/8	14 1/4	7
CGBT30M150F8	5	33 1/8	18 1/4	7
CGBT1624M125F	6	CONTACT FACTORY		

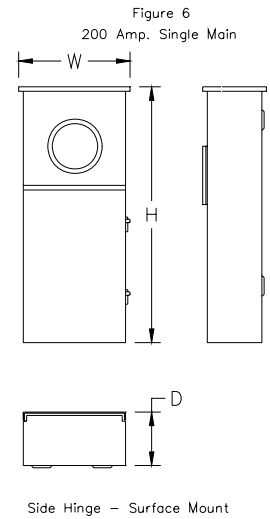
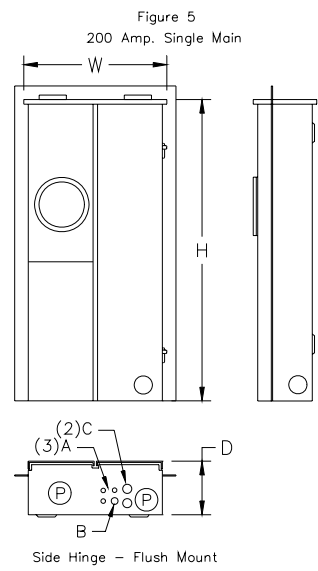
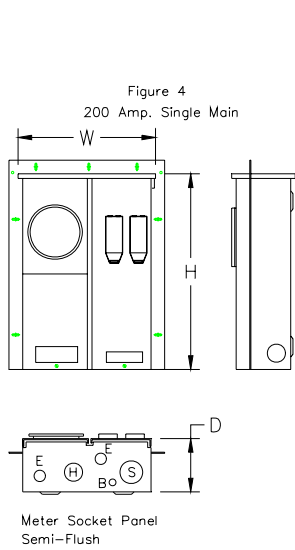
Cutler-Hammer

D-5,6

RESIDENTIAL SERVICES

Type of Service & Socket		Approved Voltage	Optional Voltage w/Utility Approved
		120/240V 1 PH 3W 4 Terminal	120/208V 1 PH 3W 5 Terminal
100 Amp Meter Socket & Circuit Breaker Combination, Underground or Overhead B-bottom T-top connected	Surface	CMBE24L125BTS CMBE24L125BTS CMBE2222B125BS CMBE2222B100BS CMBE3242B150BS	NA
	Flush	CMBE3242B150BF CMBE24L125BTF CMBE2222B100BF CMBE2222B125BF CMBE3242B150BF F	NA
200 Amp Socket Only, Overhead	Surface	NA	NA
	Flush	NA	NA

Note: MBE Breaker type approved.



Knockout Code - Conduit Sizes

A = 1/2	H = 1/4, 1 1/2, 2
B = 1/2, 3/4	S = 1 1/2, 2, 2 1/2
C = 1/2, 3/4, 1	T = 1/4, 1 1/2, 2, 2 1/2
D = 1/2, 3/4, 1, 1 1/4	Y = 1 1/2, 2
E = 3/4, 1, 1 1/4	Z = 1 1/2, 2, 2 1/2

Dimensions - Inches

CAT. NUM.	FIG.	DIMENSIONS		
		H	W	D
CGBT2125F	4	19 7/8	14 1/8	5 5/8
CGBT24M1F	5	28 5/8	14 1/4	7
CGBT24M125F	5	28 5/8	14 1/4	7
CGBT30M150F4	5	33 1/8	14 1/4	7
CGBT30M150F8	5	33 1/8	18 1/4	7
CGBT1624M125F	6	CONTACT FACTORY		

Cutler-Hammer

D-5,6

RESIDENTIAL SERVICES

Type of Service & Socket		Approved Voltage	Optional Voltage w/Utility Approved
		120/240V 1 PH 3W 4 Terminal	120/208V 1 PH 3W 5 Terminal
200 Amp Meter Socket & Circuit Breaker Combination, Overhead	Surface	CMBEXXXB200BTS CMBE3242B200TS	NA
	Flush	CMBEXXXB200TF	NA
200 Amp Meter Socket & Circuit Breaker Combination, Underground	Surface	CMBE88B200BS CMBEXXB200BTS	NA NA
	Flush	CMBE88B200BF CMBEXXB200BTF	

Not Available

Note: MBE Breaker type approved. X-denotes any number of positions/poles available

200 Amp. Single Main
Figure 2

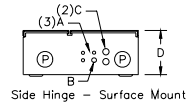
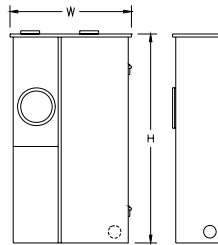


Figure 1
200 Amp. Single Main

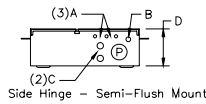
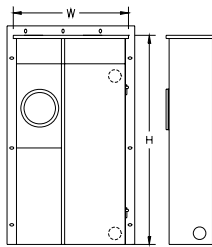
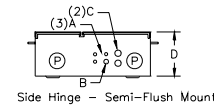
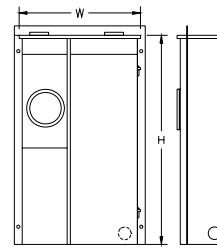


Figure 3
200 Amp. Single Main



Dimensions - Inches

CATALOG NUMBER	FIG.	DIMENSIONS		
		H	W	D
CGB30M2F4, CGB40M2F4	1	34 ⁵ / ₈	17 ¹ / ₄	6 ⁷ / ₈
CGBT12M2S	3	33 ¹ / ₈	14 ¹ / ₄	7
CGBT12200S4, CGBT30M2S4	2	33 ¹ / ₈	14 ¹ / ₄	6 ⁷ / ₈
CGBT30M2S8	2	33 ¹ / ₈	18 ¹ / ₄	7
CGBT12200F4, CGBT30M2F8	3	33 ¹ / ₈	18 ¹ / ₄	7
CGBT30M2F4, CGBT12M2F	3	34 ⁵ / ₈	17 ¹ / ₄	7
CGBT40M2F4, CGBT40M2F8	3	42 ⁵ / ₈	18 ¹ / ₄	7

D-5,6

Knockout Code - Conduit Sizes

A = 1/2	H = 1/4, 1/2, 2
B = 1/2, 3/4	S = 1/2, 2, 2 1/2
C = 1/2, 3/4, 1	T = 1/4, 1/2, 2, 2 1/2
D = 1/2, 3/4, 1, 1 1/4	Y = 1/2, 2
E = 3/4, 1, 1 1/4	Z = 1/2, 2, 2 1/2

Cutler-Hammer

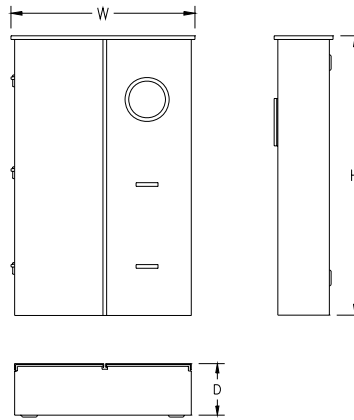
RESIDENTIAL SERVICES

Type of Service & Socket		Approved Voltage	Optional Voltage w/Utility Approved
		120/240V 1 PH 3W 4 Terminal	120/208V 1 PH 3W 5 Terminal
400 Amp Socket Only, Underground	Surface	H816P400BS (Provisions for utility conductors)	NA
	Flush	H816P400BS(HPPR) (Provisions for utility conductors)	NA
400 Amp Meter Socket & Circuit Breaker Combination, Underground	Surface	HP40 HP40SH HP402442 HP404040SH	NA
	Flush	HP40 (HPPR) HP40SH(HPPR) HP402442 (HPPR) HP404040SH(HPPR)	NA

Note: manual link bypass kit HPBPK used for all 400 ampere panels

NA: Not Available

400 Amp. House Panels
Figure 1



Side Hinge - Surface Mount

NOTE:

- Link By-Pass is not available Lever
- By-Pass may be added to any Part # by specifying Kit #HPBPK

Dimensions - Inches

Knockout Code - Conduit Sizes

A = 1/2	H = 1 1/4, 1 1/2, 2
B = 1/2, 3/4	S = 1 1/2, 2, 2 1/2
C = 1/2, 3/4, 1	T = 1 1/4, 1 1/2, 2, 2 1/2
D = 1/2, 3/4, 1, 1 1/4	Y = 1 1/2, 2
E = 3/4, 1, 1 1/4	Z = 1 1/2, 2, 2 1/2

Cutler-Hammer

CATALOG NUMBER	FIG.	DIMENSIONS		
		H	W	D
CG403242S, CG403242SH	1	38	24	7
CG40S, CG40SH	1	38	24	7
HP402440S, HP402440SH		SEE FACTORY		
HP40, HP40S, HP40SH		SEE FACTORY		
HP402440B, HP402440SB		SEE FACTORY		
HB402440SBH		SEE FACTORY		

D-4,9

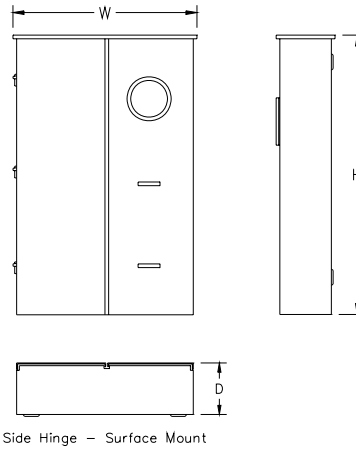
COMMERCIAL SERVICES

Type of Service & Socket		Approved Voltages			Optional Voltages with Utility Approval			
		120/240V 1PH 3W 4 Terminal	120/208V 3PH 4W Wye 7 Terminal	277/480V 3PH 4W Wye 7 Terminal	120/408V 1 PH 3W 5 Terminal	240/480V 1PH 3W 4 Terminal	120/240V 3PH 4W Delta 7 Terminal	240/480V 3PH 4W Delta 7 Terminal
400 Amp Meter Socket & Circuit Breaker Combination, Underground	Surface	HP40 ↓ HP40SH HP402442 HP404040SH	NA	NA	NA	NA	NA	NA
	Flush	HP40 (HPPR) HP40SH(HPPR) HP402442 (HPPR) HP404040SH(HPPR)	NA	NA	NA	NA	NA	NA

NA: Not Available

Note: Manual bypass kit HPBPK installed for all 400 ampere underground sockets

400 Amp. House Panels
Figure 1



NOTE:
• Link By-Pass is not available Lever
By-Pass may be added to any Part #
by specifying Kit #HPBPK

Dimensions - Inches

Knockout Code - Conduit Sizes

A = 1/2	H = 1/4, 1 1/2, 2
B = 1/2, 3/4	S = 1 1/2, 2, 2 1/2
C = 1/2, 3/4, 1	T = 1/4, 1 1/2, 2, 2 1/2
D = 1/2, 3/4, 1, 1 1/4	Y = 1 1/2, 2
E = 3/4, 1, 1 1/4	Z = 1 1/2, 2, 2 1/2

Cutler-Hammer

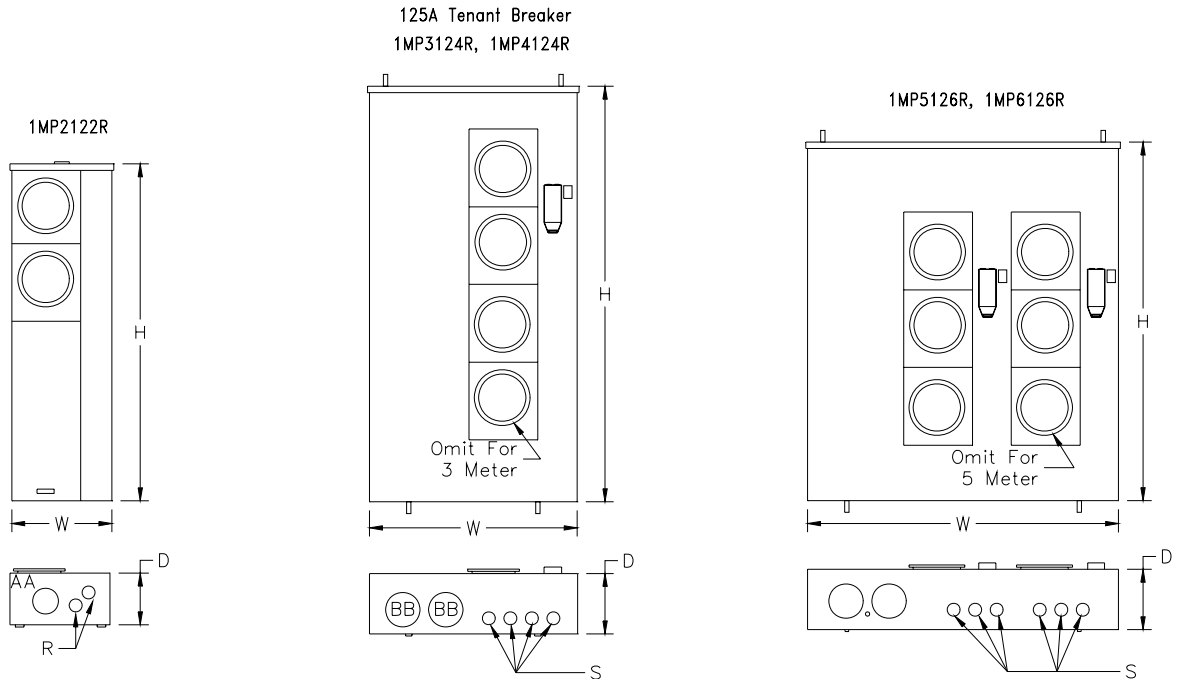
CATALOG NUMBER	FIG.	DIMENSIONS		
		H	W	D
CG403242S, CG403242SH	1	38	24	7
CG40S, CG40SH	1	38	24	7
HP402440S, HP402440SH		SEE FACTORY		
HP40, HP40S, HP40SH		SEE FACTORY		
HP402440B, HP402440SB		SEE FACTORY		
HB402440SBH		SEE FACTORY		

D-4,9

METER MODULES RESIDENTIAL SOCKETS

Type	Number of Sockets	125 Amp Breaker	200 Amp Breaker
All in One	2	1MP2122R	1MP2204R
	3	1MP3124R	1MP3206R
	4	1MP4124R	1MP4206R
	5	1MP5126R	1MP5206R
	6	1MP6126R	1MP6206R
Modular	2	1MM212R	1MM220R
	3	1MM312R	1MM320R
	4	1MM412R	1MM420R
	5	Not Approved: Will Exceed Height Requirement	
	6		

NA: Not Available



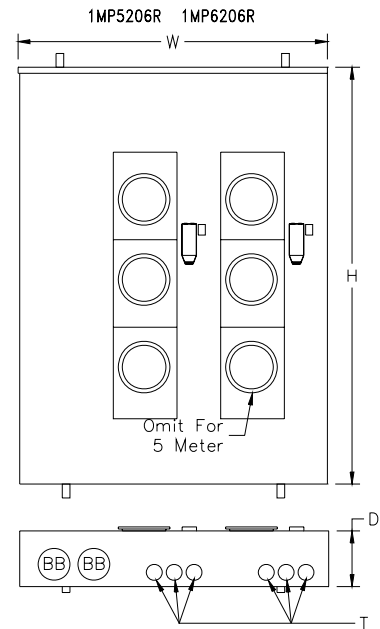
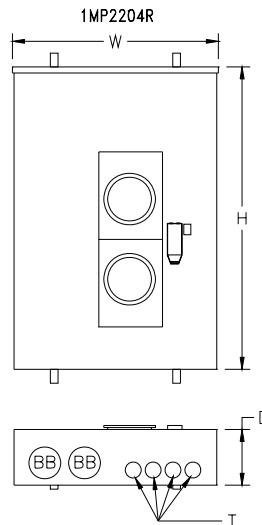
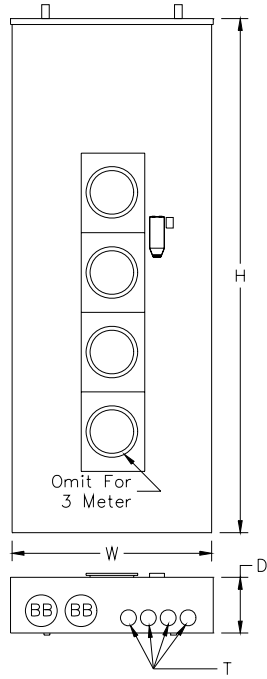
Knockout Code – Conduit Sizes

⊙ = 1/4	R = 1, 1 1/4, 1 1/2
A = 1/2	S = 1, 1 1/2
C = 1/2, 3/4	AA = 1 1/2, 2, 2 1/2, 3
E = 1/2, 3/4, 1, 1 1/4	BB = 2 1/2, 3, 3 1/2, 4
J = 3/4, 1, 1 1/4	

Dimensions – Inches

AMPERE	CAT. NUM.	DIMENSIONS		
		H	W	D
125	1MP2122R	39 1/8	11 3/8	6
125	1MP3124R	48 1/4	24 1/4	7
125	1MP4124R	48 1/4	24 1/8	7
125	1MP5126R	41 5/8	36 1/8	7
125	1MP6126R	41 5/8	36 3/8	7

200A Maximum Tenant Breaker
1MP3206R 1MP4206R



Knockout Code – Conduit Sizes

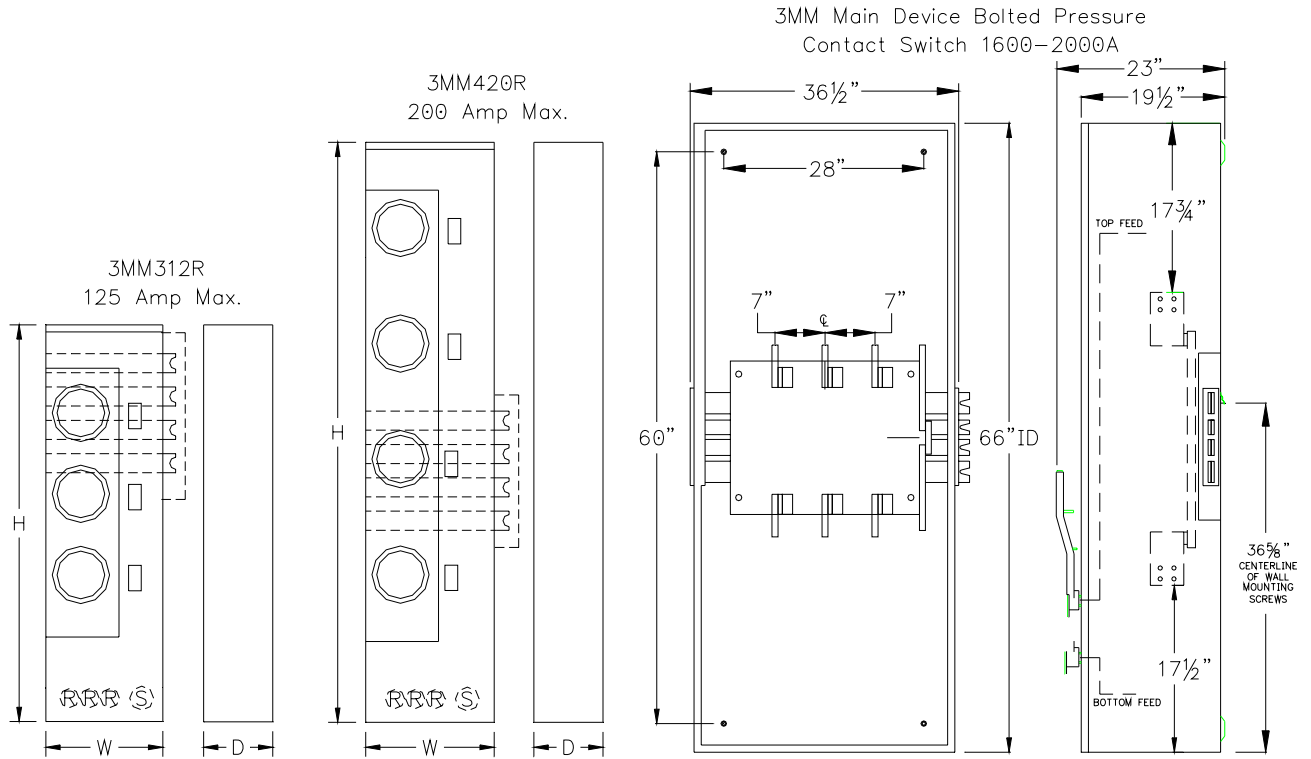
⊙ = ¼	R = 1, 1¼, 1½
A = ½	S = 1, 1½
C = ½, ¾	T = 1¼, 1½, 2
E = ½, ¾, 1, 1¼	AA = 1½, 2, 2½, 3
J = ¾, 1, 1¼	BB = 2½, 3, 3½, 4

Dimensions – Inches

AMPERE	CAT. NUM.	DIMENSIONS		
		H	W	D
200	1MP3206R	64¾	25½	7
200	1MP4206R	38	25½	7
200	1MP2204R	38	25½	7
200	1MP5206R	52¾	38¾	7
200	1MP6206R	52¾	38¾	7

Cuttler-ham

D-24,44



Knockout Code – Conduit Sizes

- | | |
|--------------------------|-------------------------------|
| A = 1/2 | N = 3/4, 1, 1 1/4, 1 1/2, 2 |
| C = 1/2, 3/4 | P = 7/8 |
| E = 1/2, 3/4, 1, 1 1/4 | R = 1, 1 1/4, 1 1/2 |
| J = 3/4, 1, 1 1/4 | S = 1, 1 1/4, 1 1/2, 2, 2 1/2 |
| M = 3/4, 1, 1 1/4, 1 1/2 | T = 1 1/4, 1 1/2, 2, 2 1/2, 3 |

Dimensions – Inches

125 AMPERE	200 AMPERE	DIMENSIONS		
		H	W	D
3MM212R	3MM220R	41 5/8	12 1/4	7 1/4
3MM312R	3MM320R	CONTACT FACTORY		
3MM412R	3MM420R	60 7/8	13 1/2	7 1/4

D-30,44

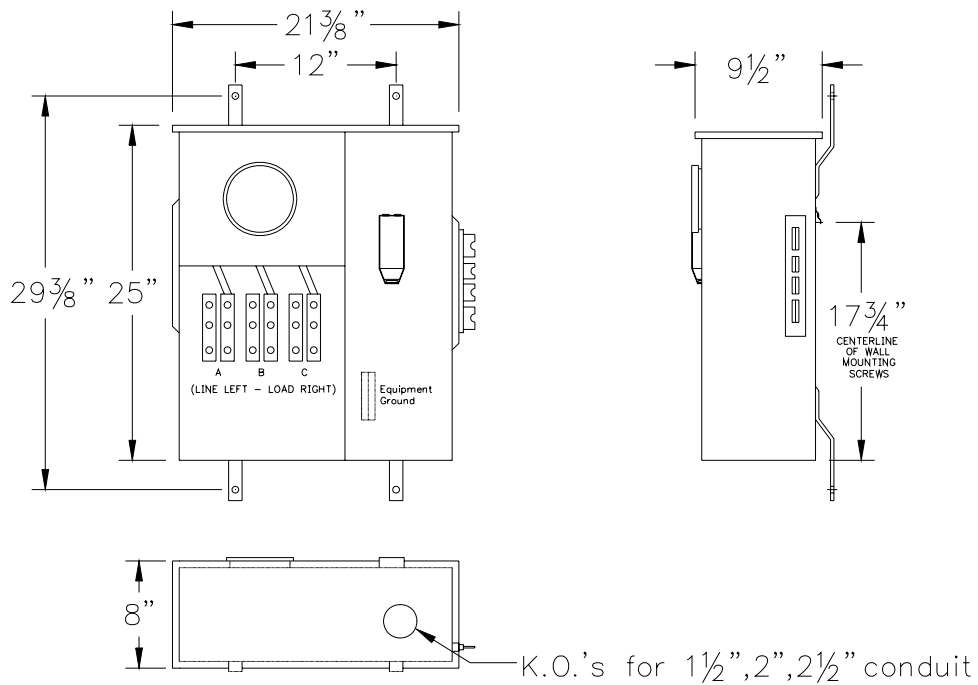
GANGING COMMERCIAL SOCKETS

Outdoor Bussed Ganged Meter Socket				
Phase Balance	Ampere Rating	1 PH. 3W Catalog No.	3 PH. Catalog No.	AIC Rating
A, B	Cross Bus is Rated Up to 800 Amps	35SS120RAB	Not Applicable	100,000
A, C		35SS120RAC	Not Applicable	100,000
B, C		35SS120RBC	Not Applicable	100,000
A, B, C		Not Applicable	37SS120R 37SS220R 37SS320R	100,000

NA: Not Available

Note: Require safety sockets with test block bypass facilities.

CG11 Single – socket Module
3Ø Test Block Shown



Cutler-Hammer

SWITCHBOARD COMMERCIAL MULTIPLE SOCKETS

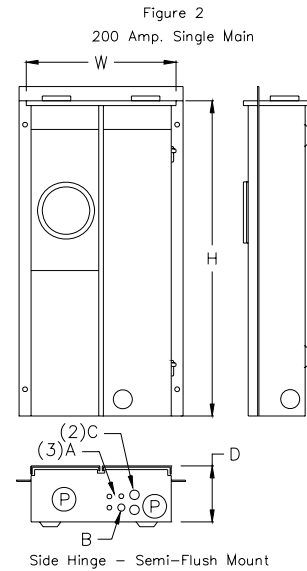
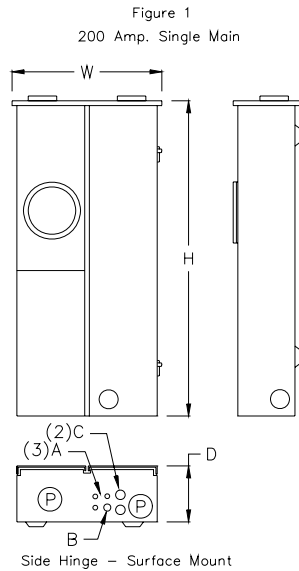
Meter Section		
Service Voltage	Amperes	Type
1 PH. 3W 3 PH. 3W 120/240V 240V or 480V	400	WWCMS
	600	
	800	
	1200	
	1600	
	2000	
	4000	
3 PH. 4W 208Y/120V 480Y/277V	400	WWCMS
	600	
	800	
	1200	
	1600	
	2000	
	4000	

Meter Socket Panels
Approximate Dimensions

Catalog Number	Amps	Fig. Num.	Dimensions in Inches			Conduit KO Location			
			W	H	D	Bottom	Top	Back	Side
CMBE88B200BTS	200	2	14-1/4	33-1/8	7	(3)a, (2)b,c	(2) Plates for 3" Hub	p	j
CMBE2222B125BS	125	2	14-1/4	28-5/8	7	(4)b, (2)a,g,r	(2) Plates for 2" Hub	u	j
CMBE3242B200BS	200	2	14-1/2	33-1/8	7	(3)a, (2)b,c	(2) Plates for 3" Hub	p	j
CGBT30M2S8/SC8	200	2	18-1/4	33-1/8	7	(2)p	(2) Plates for 3" Hub	(2) p	j
CMBE3242B150BS	150	2	14-1/4	33-1/8	7	(3)a, (2)b,c	(2) Plates for 3" Hub	p	j
CGBT30M150S8	150	2	18-1/4	33-1/8	7	(2)p	(2) Plates for 3" Hub	(2) p	j
CGBT32M2S24	Contact Factory								
CGBT1624M1F/125F	100	5	17-1/4	27-1/4	5 1/2	(2)a, (3)b,c,j,r	(2)a, (3)b,c,h,j	(2) b,s	
CGBT1624M1S/125S	100	5	14-1/2	26	5 1/2	(2)a, (3)b,c,j,r	(2)a, (3)b,c,h,j	(2) b,s	
CGBT2125F	Contact Factory								
CMBE24L125BTS									
CGBT2200F									
CMBE24L125BTF									
CMBE24L125BTF	125	6	17-1/4	21-1/2	5 5/8	c,e,v	a,b,c,h,,j	k	
CMBE24L125BTS	125	5	14-1/8	19-7/8	5 5/8	b,e,(2)h,s	(2) Plates for 2" Hub	k	k
CGBT4200F	200	6	17-1/4	24-1/2	5 5/8	c,e,v	a,b,c,h,,j	k	k
CMBE24L200BTS	200	5	14-1/8	23	5 5/8	b,e,(2)h,s	(2) Plates for 2" Hub	k	k
CMBE1212L200BS	200	2	14-1/4	33-1/8	6 7/8	(3)a, (2)b,p,w,y	(4)b,s,w,x		
CGB30M2F4	200	1		34-5/8	6 7/8	(3)a, b, (2)c, (2)p	(8)g, (2)s	p	
CGB40M2F4	200	1		42-5/8	6 7/8	(3)a, b, (2)c, (2)p	(8)g, (2)s	(2) p	
CGT3042MR2			12 1/2	37-1/4	5 1/2	(5)a, (3)b,c (2)j	Plate for 3" Hub	(3)b, 2k	
CMBE88B200BTF	200	3	17-1/4	34-5/8	7		(4)b, (2)s	p	
CGBT12M150F	150	3	17-1/4	34-5/8	7		(4)b, (2)s	p	
CMBE2222B100BF	125	3	17-1/4	30-1/8	7	(4)b, (2)a,g,r	(4)b, (2)a,g,h	u	
CMBE2222B125BF	125	3	17-1/4	30-1/8	7	(4)b, (2)a,g,r	(4)b, (2)a,g,h	u	
CGBT30M2F8	200	3	21-1/4	34-5/8	7	(3)a, (2)b,c	(4)b, (2)s	(2) p	
CMBE3242B150BF	150	3	17-1/4	34-5/8	7		(4)b, (2)s	p	
CGBT30M150F8	150	3	21-1/4	34-5/8	7	(3)a, b, (2)c, (2)p	(4)b, (2)s	(2) p	
CGBT40M2F4	200	3	17-1/4	42-5/8	7	(3)a, b, (2)c, (2)p	(4)b, (2)s	p	
CGBT40M2F8	200	4	21-1/4	42-5/8	7	(3)a, b, (2)c, (2)p	(4)b, (2)s	(2) p	
CGBT40M2S24	Contact Factory								

KNOCKOUT SIZES - Inches

Code	Conduit Diameter	Code	Conduit Diameter
a	1/2"	n	1-1/2, 2, 2-1/2, 3
b	1/2, 3/4	p	1-1/4, 1-1/2, 2, 2-1/2
c	1/2, 3/4, 1	r	2, 2-1/2
d	1/2, 3/4-1, 1-1/4	s	1-1/2, 2, 2-1/2
e	3/4, 1, 1-1/4	t	2, 2-1/2, 3
f	3/4, 1, 1-1/4, 1-1/2	u	1, 1-1/2, 2, 2-1/2
g	1-1/4, 1-1/2	v	1-1/2, 2
h	1-1/4, 1-1/2, 2	w	3/4, 1
j	1-1/4, 1-1/2, 2	x	1-1/4"
k	1, 1-1/4, 1-1/2, 2	y	1, 1-1/4
m	1, 1-1/4, 1-1/2, 2, 2-1/2		



Knockout Code - Conduit Sizes			
A = 1/2	H = 1 1/4, 1 1/2, 2		
B = 1/2, 3/4	S = 1 1/2, 2, 2 1/2		
C = 1/2, 3/4, 1	T = 1 1/4, 1 1/2, 2, 2 1/2		
D = 1/2, 3/4, 1, 1 1/4	Y = 1 1/2, 2		
E = 3/4, 1, 1 1/4	Z = 1 1/2, 2, 2 1/2		

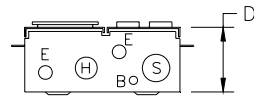
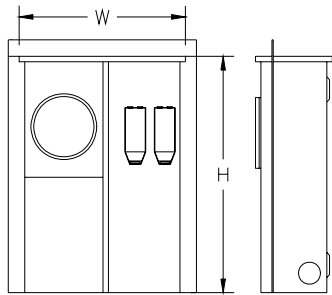
Cutler-Hammer

Dimensions - Inches

CAT. NUM.	FIG.	DIMENSIONS		
		H	W	D
CGBT30M2S4	2	33 1/8	17 1/4	7
CGBT30M2S8	2	33 1/8	18 1/4	7
CGBT30M2F4	1	34 5/8	18 1/4	7
CGBT40M2F4	1	34 5/8	18 1/4	7
CGBT40M2F4	1	34 5/8	18 1/4	7

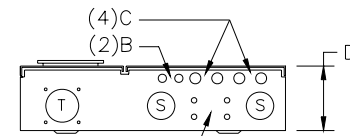
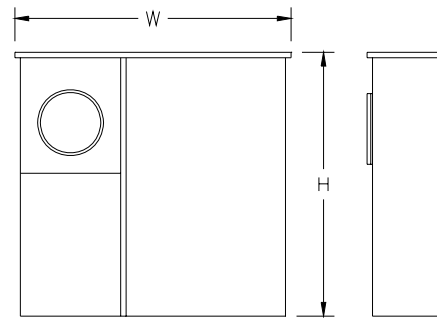
D-5,6

Figure 3
CGBT2200S
200 Amp. Single Main



Meter Socket Panel
Surface Mount

Figure 4
CGB40M2S24
200 Amp. Single Main



Meter Socket Panel
Surface Mount

Knockout Code – Conduit Sizes

A = 1/2	H = 1/4, 1/2, 2
B = 1/2, 3/4	S = 1/2, 2, 2 1/2
C = 1/2, 3/4, 1	T = 1/4, 1/2, 2, 2 1/2
D = 1/2, 3/4, 1, 1 1/4	Y = 1/2, 2
E = 3/4, 1, 1 1/4	Z = 1/2, 2, 2 1/2

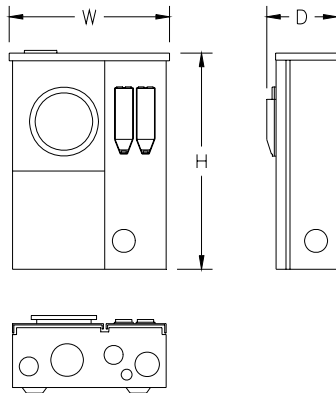
Cutler-Hammer

Dimensions – Inches

CAT. NUM.	FIG.	DIMENSIONS		
		H	W	D
CGBT2200S	3	23	14 1/8	5 7/8
CGB40M2S24	4	24	24 1/8	7 1/16

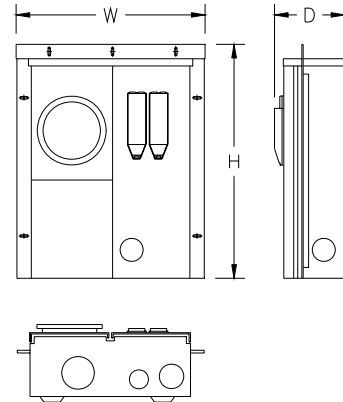
D-5,6

Figure 5
125 Amp Single Main Flush



Double Main, Surface Mount

Figure 6
125 Amp Single Main Flush



Semi-Flush Double Main

Dimensions – Inches

Knockout Code – Conduit Sizes

A = 1/2	H = 1 1/4, 1 1/2, 2
B = 1/2, 3/4	S = 1 1/2, 2, 2 1/2
C = 1/2, 3/4, 1	T = 1 1/4, 1 1/2, 2, 2 1/2
D = 1/2, 3/4, 1, 1 1/4	Y = 1 1/2, 2
E = 3/4, 1, 1 1/4	Z = 1 1/2, 2, 2 1/2

CAT. NUM.	FIG.	DIMENSIONS		
		H	W	D
CGBT2200F, CGBT4125F	6	21 1/2	17 1/4	5 5/8
CGBT4125S, CGBT4125RSC/SC	5	19 7/8	14 1/8	5 5/8
CGBT4200F	6	21 1/2	17 1/4	5 5/8
CGBT4200S	5	19 7/8	14 1/8	5 5/8

Cutler-Hammer

D-4,5,6

